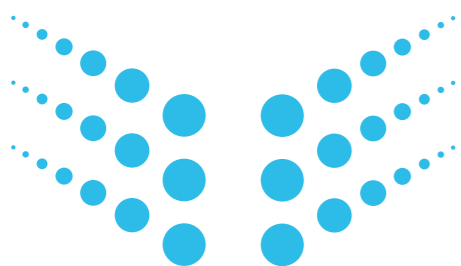
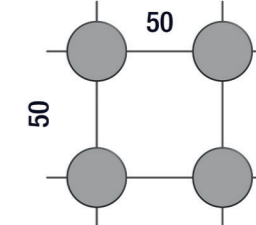
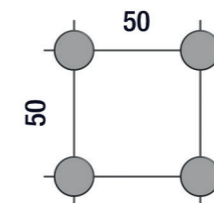
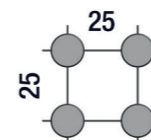
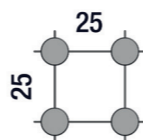
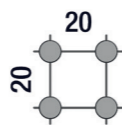
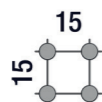
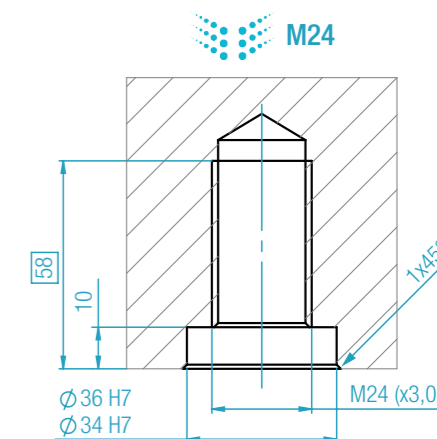
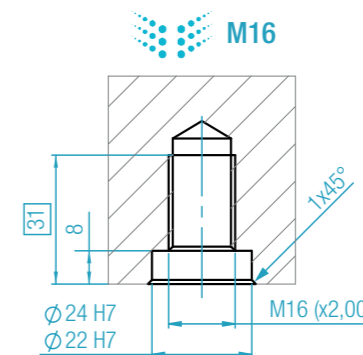
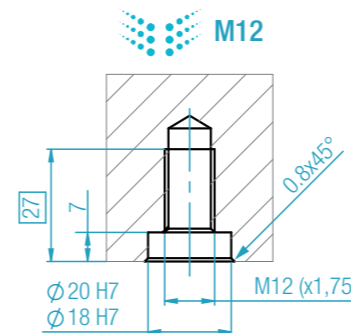
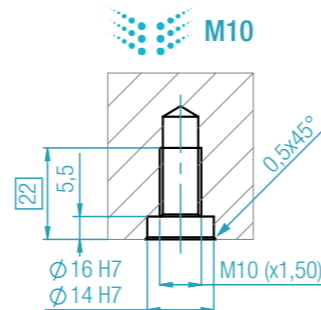
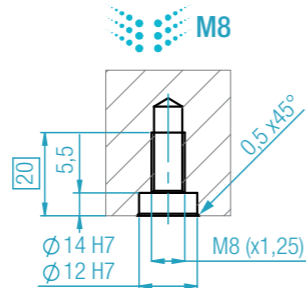
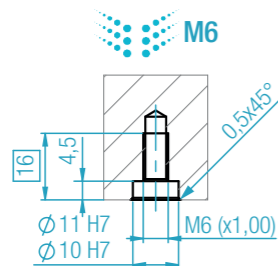
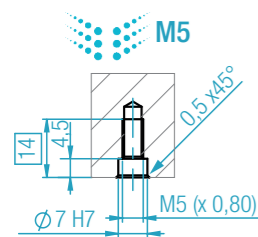
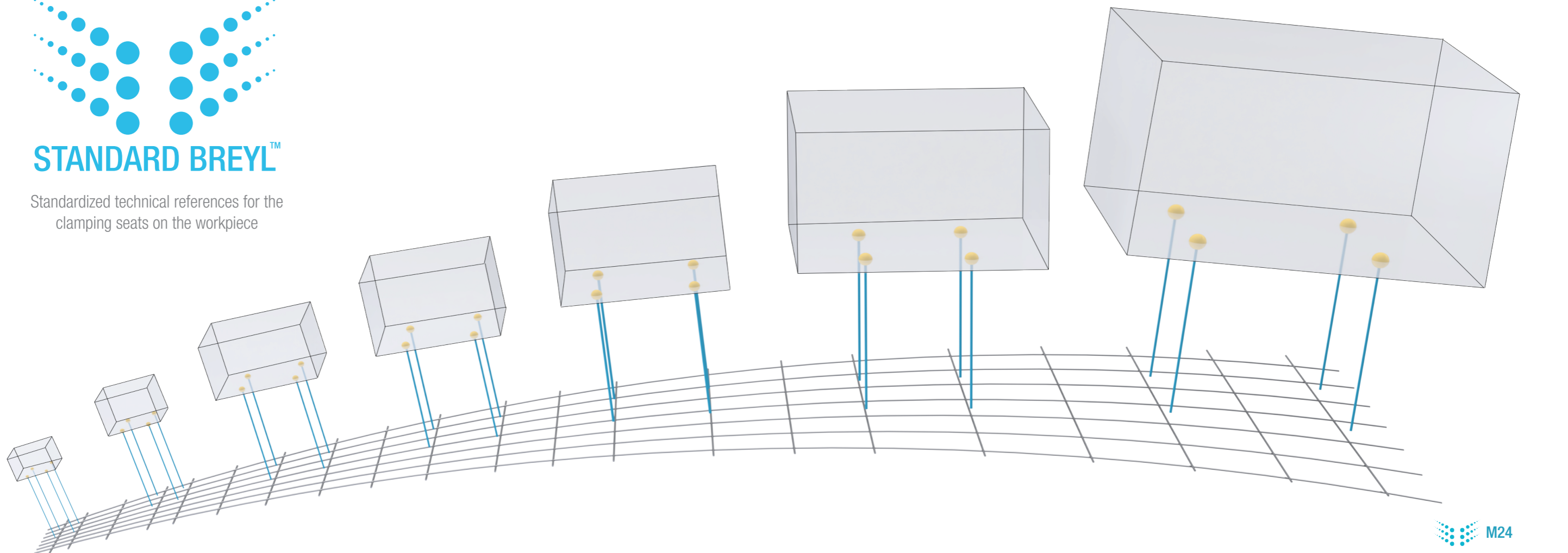


# MANUAL CLAMPING SYSTEM - STANDARD BREYL™



## STANDARD BREYL™

Standardized technical references for the clamping seats on the workpiece



All units are in mm unless otherwise specified

Minimum seat length required

This page is downloadable in PDF format from FCS web site and from the reserved area **FCS SUPPORT**.  
The information contained in this document is strictly confidential and not transferable to third party without ELMANN and FCS SYSTEM assent.